

DEH

Dresdner Edelstahlhandel GmbH



Tri-Clamp-Verbindungen

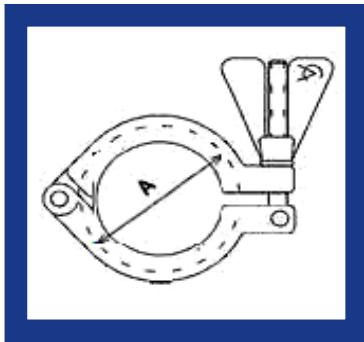
Inhalt

| | Seite |
|---|-------|
| TC-Klammer massiv | 3 |
| TC-Stutzen DIN 32676 Reihe A | 4 |
| TC-Stutzen DIN 32676 Reihe B | 5 |
| TC-Stutzen DIN 32676 Reihe C | 6 |
| TC-Minni Serie | 7 |
| TC-Blinddeckel DIN 32676 | 8 |
| TC-Dichtung DIN 32676 Reihe A | 9 |
| TC-Dichtung DIN 32676 Reihe B | 9 |
| TC-Dichtung DIN 32676 Reihe C | 10 |
| TC-Dichtung Mini Serie | 10 |
| Schlauchtülle mit Kegelflanschanschluss | 11 |
| Schlauchtülle Flansch DIN 32676 | 12 |
| Kegelflansch-Gewintheadapter | 13 |
| Bogen 90° DIN / INCH | 14 |
| Bogen 45° INCH | 14 |
| T-Stück DIN / INCH | 15 |
| Reduzier - T-Stück INCH | 15 |
| Kreuzstück DIN / INCH | 16 |
| Reduzierung konzentrisch DIN / INCH | 17 |
| Schaulaterne | 18 |

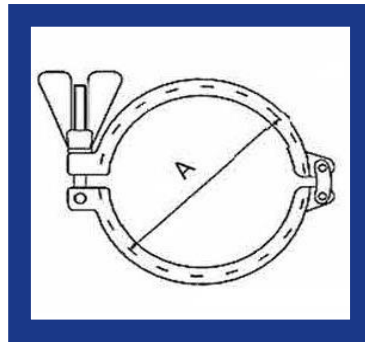
TC-Klammer massive Ausführung

Werkstoff: V2A / V4A

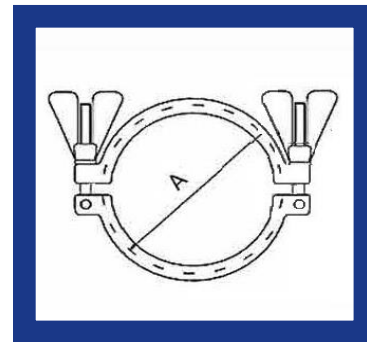
| A | Flansch AD | DIN 32676 | ISO 1127 | Zoll |
|-----|------------|-----------|----------|-----------|
| 28 | 25 | DN 06-08 | DN 08-10 | 1/2"-3/4" |
| 37 | 34 | DN 10-20 | | |
| 53 | 50,5 | DN 25-40 | DN 15-25 | 1"-1 1/2" |
| 67 | 64 | DN 50 | DN 32-40 | 2" |
| 80 | 77,5 | | DN 50 | 2 1/2" |
| 94 | 91 | DN 65 | DN 65 | 3" |
| 109 | 106 | DN 80 | DN 80 | 3 1/2" |
| 122 | 119 | DN 100 | | 4" |
| 133 | 130 | | | 4 1/2" |
| 147 | 144,4 | | | 5" |
| 158 | 155 | DN 125 | DN 125 | 5 1/2" |
| 170 | 167 | | | 6" |
| 187 | 183 | DN 150 | DN 150 | 6 5/8" |
| 220 | 217,4 | | | 8" |
| 238 | 233,5 | DN 200 | DN 200 | 8 5/8" |
| 272 | 268 | DN 250 | | |
| 289 | 286,1 | | DN 250 | 10 5/8" |
| 322 | 319 | DN 300 | | 12" |
| 340 | 338 | | DN 300 | 12 5/8" |



Typ S

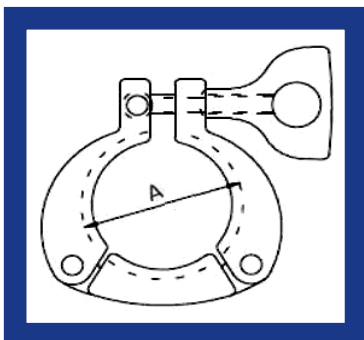


Typ SH

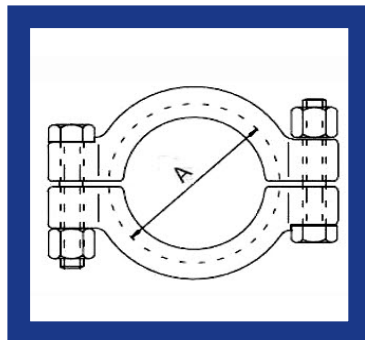


Typ SH (Doppelgelenk)

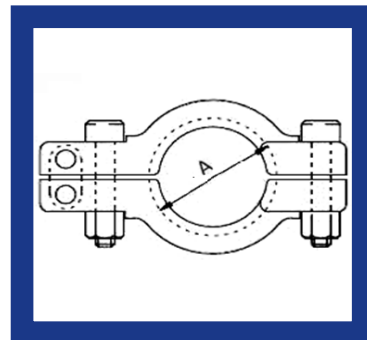
wahlweise mit Flügelmutter oder Sechskantmutter
 auf Wunsch mit TÜV Bauteilprüfung oder als Sicherheitsausführung



Typ ST



Typ SSH



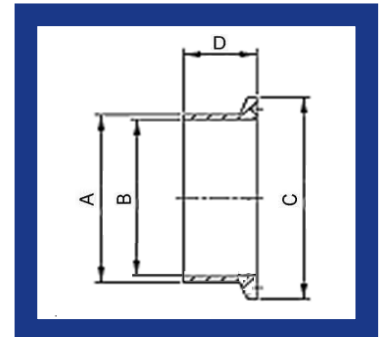
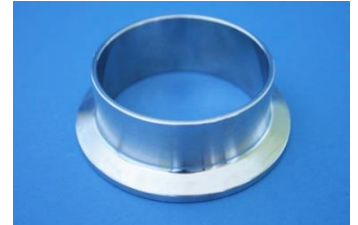
ASME BPE

TC-Stutzen DIN 32676 Reihe A (kurz)

Werkstoff: 1.4404 (1.4301 auf Anfrage)

| DN | A | B | C | D |
|------|-------|-------|-------|------|
| 6 | 8,0 | 6,0 | 25,0 | 12,7 |
| 8 | 10,0 | 8,0 | 25,0 | 12,7 |
| 10 | 13,0 | 10,0 | 34,0 | 18,0 |
| 15* | 18,0 | 15,0 | 34,0 | 18,0 |
| 15 | 19,0 | 16,0 | 34,0 | 18,0 |
| 20* | 22,0 | 19,0 | 34,0 | 18,0 |
| 20 | 23,0 | 20,0 | 34,0 | 18,0 |
| 25* | 28,0 | 25,0 | 50,5 | 21,5 |
| 25 | 29,0 | 26,0 | 50,5 | 21,5 |
| 32* | 34,0 | 31,0 | 50,5 | 21,5 |
| 32 | 35,0 | 32,0 | 50,5 | 21,5 |
| 40 * | 40,0 | 37,0 | 50,5 | 21,5 |
| 40 | 41,0 | 38,0 | 50,5 | 21,5 |
| 50 * | 52,0 | 49,0 | 64,0 | 21,5 |
| 50 | 53,0 | 50,0 | 64,0 | 21,5 |
| 65 | 70,0 | 66,0 | 91,0 | 28,0 |
| 80 | 85,0 | 81,0 | 106,0 | 28,0 |
| 100 | 104,0 | 100,0 | 119,0 | 28,0 |
| 125 | 129,0 | 125,0 | 155,0 | 28,0 |
| 150 | 154,0 | 150,0 | 183,0 | 28,0 |

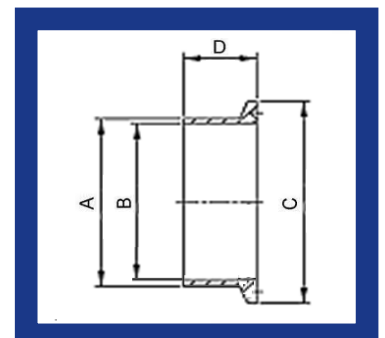
* ähnlich DIN 32676



TC-Stutzen DIN 32676 Reihe A (lang)

Werkstoff: 1.4404 (1.4301 auf Anfrage)

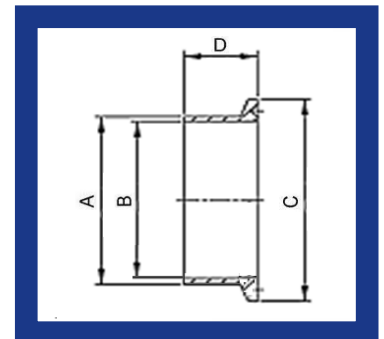
| DN | A | B | C | D |
|-----|-------|-------|-------|------|
| 6 | 8,0 | 6,0 | 25,0 | 28,6 |
| 8 | 10,0 | 8,0 | 25,0 | 28,6 |
| 10 | 13,0 | 10,0 | 34,0 | 28,6 |
| 15 | 19,0 | 16,0 | 34,0 | 28,6 |
| 20 | 23,0 | 20,0 | 34,0 | 28,6 |
| 25 | 29,0 | 26,0 | 50,5 | 36,0 |
| 32 | 35,0 | 32,0 | 50,5 | 36,0 |
| 40 | 41,0 | 38,0 | 50,5 | 36,0 |
| 50 | 53,0 | 50,0 | 64,0 | 36,0 |
| 65 | 70,0 | 66,0 | 91,0 | 48,0 |
| 80 | 85,0 | 81,0 | 106,0 | 48,0 |
| 100 | 104,0 | 100,0 | 119,0 | 48,0 |



TC-Stutzen DIN 32676 Reihe B (kurz)

Werkstoff: 1.4404 (1.4301 auf Anfrage)

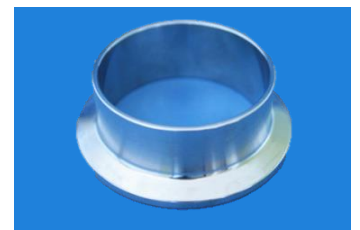
| DN | A | B | C | D |
|-----|-------|-------|-------|------|
| 6 | 10,2 | 7,0 | 25,0 | 21,5 |
| 8 | 13,5 | 10,3 | 25,0 | 12,7 |
| 10 | 17,2 | 14,0 | 25,0 | 12,7 |
| 15 | 21,3 | 18,1 | 50,5 | 18,0 |
| 20 | 26,9 | 23,7 | 50,5 | 18,0 |
| 25 | 33,7 | 29,7 | 50,5 | 21,5 |
| 32 | 42,4 | 38,4 | 64,0 | 21,5 |
| 40 | 48,3 | 44,3 | 64,0 | 21,5 |
| 50 | 60,3 | 56,3 | 77,5 | 28,0 |
| 65 | 76,1 | 72,1 | 91,0 | 28,0 |
| 80 | 88,9 | 84,9 | 106,0 | 28,0 |
| 100 | 114,3 | 110,3 | 130,0 | 28,0 |
| 125 | 139,7 | 134,5 | 155,0 | 28,0 |
| 150 | 168,3 | 163,1 | 183,0 | 28,0 |
| 200 | 219,1 | 213,9 | 233,5 | 28,0 |



TC-Stutzen DIN 32676 Reihe B (lang)

Werkstoff: 1.4404 (1.4301 auf Anfrage)

| DN | A | B | C | D |
|-----|-------|-------|-------|------|
| 8 | 13,5 | 10,3 | 25,0 | 28,6 |
| 10 | 17,2 | 14,0 | 25,0 | 28,6 |
| 15 | 21,3 | 18,1 | 50,5 | 36,0 |
| 20 | 26,9 | 23,7 | 50,5 | 36,0 |
| 25 | 33,7 | 29,7 | 50,5 | 36,0 |
| 32 | 42,4 | 38,4 | 64,0 | 36,0 |
| 40 | 48,3 | 44,3 | 64,0 | 36,0 |
| 50 | 60,3 | 56,3 | 77,5 | 36,0 |
| 65 | 76,1 | 72,1 | 91,0 | 48,0 |
| 80 | 88,9 | 84,9 | 106,0 | 48,0 |
| 100 | 114,3 | 110,3 | 130,0 | 48,0 |



TC-Stutzen ISO Sonderabmessungen

Werkstoff: 1.4404 (1.4301 auf Anfrage)

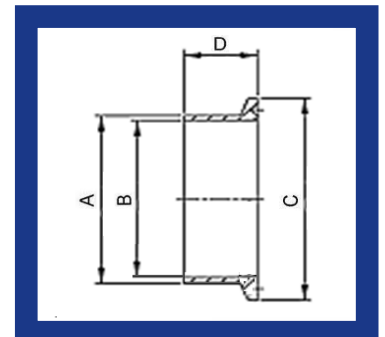
| DN | A | B | C | D |
|-----|-------|-------------|-------------|-------------|
| 10 | 17,2 | 14,0 | 34,0 | 18,0 |
| 15 | 21,3 | 18,1 | 34,0 | 18,0 |
| 25 | 33,7 | 30,5 | 50,5 | 21,5 |
| 32 | 42,4 | 38,4 | 50,5 | 21,5 |
| 50 | 60,3 | 56,3 | 77,5 | 21,5 |
| 80 | 88,9 | 84,9 | 106,0 | 21,5 |
| 250 | 273,0 | 267,8 | 286,1 | 28,0 |
| 300 | 323,9 | 318,7 | 338,5 | 28,0 |



TC-Stutzen DIN 32676 Reihe C (kurz)

Werkstoff: 1.4404 (1.4301 auf Anfrage)

| DN | A | B | C | D |
|--------|-------|--------|-------|------|
| 1/4" | 6,35 | 4,57 | 25,0 | 12,7 |
| 3/8" | 9,53 | 7,75 | 25,0 | 12,7 |
| 1/2" | 12,7 | 9,4 | 25,0 | 12,7 |
| 3/4" | 19,05 | 15,75 | 25,0 | 12,7 |
| 1" | 25,4 | 22,1 | 50,5 | 21,5 |
| 1 1/2" | 38,1 | 34,8 | 50,5 | 21,5 |
| 2" | 50,8 | 47,5 | 64,0 | 21,5 |
| 2 1/2" | 63,5 | 60,2 | 77,5 | 28,0 |
| 3" | 76,2 | 72,9 | 91,0 | 28,0 |
| 4" | 101,6 | 97,38 | 119,0 | 28,0 |
| 6" | 152,4 | 146,86 | 167,0 | 28,0 |



TC-Stutzen DIN 32676 Reihe C (lang)

Werkstoff: 1.4404 (1.4301 auf Anfrage)

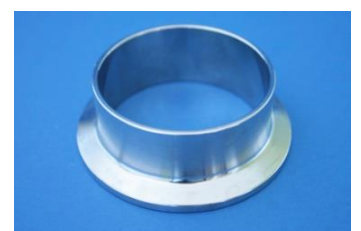
| DN | A | B | C | D |
|--------|-------|-------|-------|------|
| 1/2" | 12,7 | 9,4 | 25,0 | 28,6 |
| 3/4" | 19,05 | 15,75 | 25,0 | 28,6 |
| 1" | 25,4 | 22,1 | 50,5 | 36,0 |
| 1 1/2" | 38,1 | 34,8 | 50,5 | 36,0 |
| 2" | 50,8 | 47,5 | 64,0 | 36,0 |
| 2 1/2" | 63,5 | 60,2 | 77,5 | 36,0 |
| 3" | 76,2 | 72,9 | 91,0 | 48,0 |
| 4" | 101,6 | 97,38 | 119,0 | 48,0 |



TC-Stutzen Zoll Sonderabmessungen

Werkstoff: 1.4404 (1.4301 auf Anfrage)

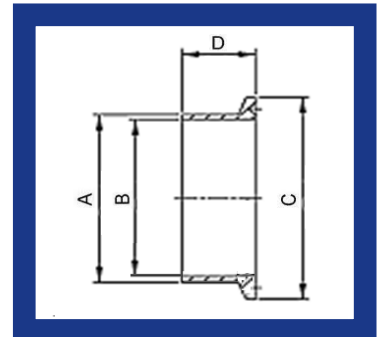
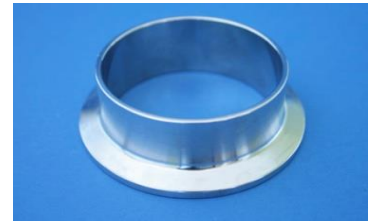
| DN | A | B | C | D |
|-------|-------|-------|-------|------|
| 6" | 154,0 | 150,0 | 167,0 | 28,0 |
| 6" US | 154,0 | 147,0 | 167,0 | 21,5 |
| 8" | 204,0 | 200,0 | 217,4 | 28,0 |
| 8" US | 203,2 | 197,7 | 217,4 | 28,0 |
| 10" | 254,0 | 250,0 | 268,0 | 28,0 |
| 12" | 306,0 | 300,0 | 319,0 | 28,0 |
| 12" | 304,0 | 300,0 | 319,0 | 28,0 |



TC-Stutzen Mini Serie

Werkstoff: 1.4404

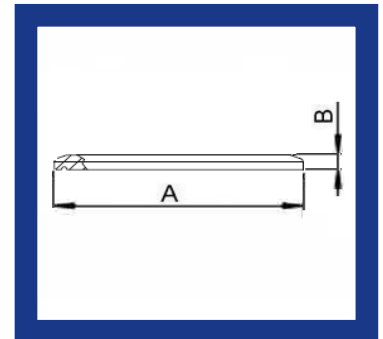
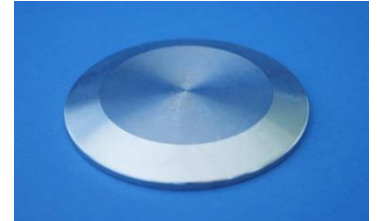
| DN | A | B | C | D |
|------------|------|------|------|------|
| MINI DN 6 | 6,0 | 4,0 | 25,0 | 21,5 |
| MINI DN 8 | 8,0 | 6,0 | 25,0 | 21,5 |
| MINI DN 10 | 10,0 | 8,0 | 25,0 | 21,5 |
| MINI DN 12 | 12,0 | 10,0 | 25,0 | 21,5 |
| MINI DN 14 | 14,0 | 12,0 | 25,0 | 21,5 |
| MINI DN 16 | 16,0 | 14,0 | 25,0 | 21,5 |
| MINI DN 18 | 18,0 | 16,0 | 25,0 | 21,5 |



TC-Blinddeckel DIN 32676

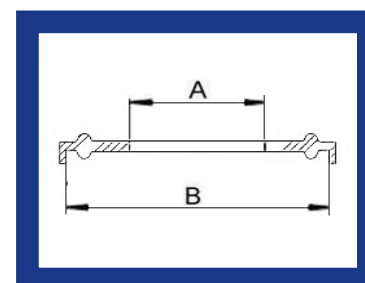
Werkstoff: 1.4404 (1.4301 auf Anfrage)

| Reihe C | DIN 32676 Reihe B | Reihe A | A | B |
|-------------|----------------------|--------------|-------|------|
| 1/4" - 3/4" | 10,2-17,2 | 06 - 08 | 25 | 4,75 |
| | | 10 15 - 20 | 34 | 6,35 |
| 1" - 1 1/2" | 21,3-33,7 | 25 - 32 - 40 | 50,5 | 6,35 |
| 2" | 42,4-48,3 | 50 | 64 | 6,35 |
| 2 1/2" | 60,3 | | 77,5 | 6,35 |
| 3" | 76,1 | 65 | 91 | 6,35 |
| 3 1/2" | 88,9 | 80 | 106 | 6,35 |
| 4" | | 100 | 119 | 8 |
| 4 1/2" | 114,3 | | 130 | 8 |
| 5" | | | 144,4 | 10 |
| 5 1/2" | 139,7 | 125 | 155 | 8 |
| 6" | | | 167 | 14 |
| 6 5/8" | 168,3 | 150 | 183 | 14 |
| 8" | | | 217,4 | 14 |
| 8 5/8" | 219,1 | 200 | 233,5 | 14 |
| 10"s.5 | 273,0 | | 286,1 | 14 |
| 12" | | 300 | 319 | 14 |
| 12"s.5 | 323,9 | | 338 | 14 |



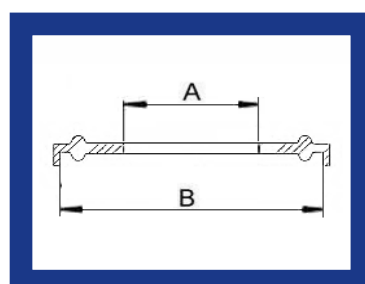
TC-Dichtung DIN 32676 Reihe A

| DN | A | B | |
|-----|---------|------|--|
| 10 | ≥ 10,2 | 34 | EPDM; Perbunan; Silicon; PTFE; Viton; PTFE ummantelt (Viton) |
| 15 | ≥ 16,2 | 34 | |
| 20 | ≥ 20,2 | 34 | |
| 25 | ≥ 26,2 | 50,5 | |
| 32 | ≥ 32,2 | 50,5 | |
| 40 | ≥ 38,2 | 50,5 | |
| 50 | ≥ 50,2 | 64 | |
| 65 | ≥ 66,2 | 91 | |
| 80 | ≥ 81,2 | 106 | |
| 100 | ≥ 100,2 | 119 | |
| 125 | ≥ 125,2 | 155 | |
| 150 | ≥ 150,2 | 183 | |
| 200 | ≥ 200,2 | 183 | |



TC-Dichtung DIN 32676 Reihe B

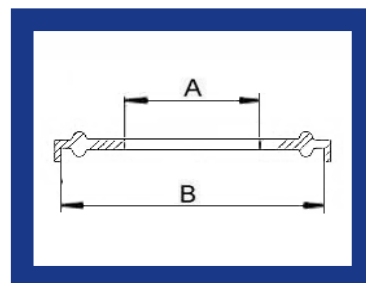
| DN | A | B | |
|---------------|---------------|--------------|---|
| 10,2 | ≥ 7,2 | 22,0 | EPDM; Perbunan; Silicon; PTFE; Viton; PTFE ummantelt (Viton) |
| 13,5 | ≥ 10,5 | 22,0 | |
| 13,5 | ≥ 10,5 | 34,0* | |
| 13,5 | ≥ 10,5 | 50,5* | |
| 17,2 | ≥ 14,2 | 22,0 | |
| 17,2 | ≥ 14,2 | 34,0* | |
| 17,2 | ≥ 14,2 | 50,5* | |
| 21,3 | ≥ 18,3 | 50,5 | |
| 21,3 | ≥ 18,3 | 34,0* | |
| 26,9 | ≥ 23,9 | 50,5 | |
| 26,9 | ≥ 23,1 | 50,5 | |
| 33,7 | ≥ 29,9 | 50,5 | |
| 33,7 | ≥ 30,7 | 50,5 | |
| 42,4 | ≥ 38,6 | 64,0 | |
| 42,4 | ≥ 38,6 | 50,5* | |
| 48,3 | ≥ 44,5 | 64,0 | |
| 60,3 | ≥ 56,5 | 77,5 | |
| 76,1 | ≥ 72,3 | 91,0 | |
| 88,9 | ≥ 84,5 | 106,0 | |
| 114,3 | ≥ 109,9 | 130,0 | |
| 139,7 | ≥ 134,7 | 155,0 | |
| 168,3 | ≥ 163,3 | 183,0 | |
| 219,1 | ≥ 214,1 | 233,5 | |
| 273* | ≥ 268,0 | 286,1 | |
| 323,9* | ≥ 318,9 | 338,0 | |



* abweichend von Reihe B

TC-Dichtung DIN 32676 Reihe C

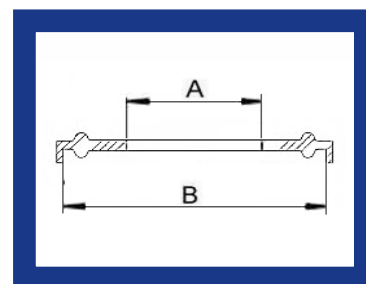
| DN | A | B | |
|------------------|-----------------|---------------|---|
| 1/4" | ≥ 4,8 | 25 | |
| 3/8" | ≥ 8,0 | 25 | |
| 1/2" | ≥ 9,6 | 25 | |
| 3/4" | ≥ 16 | 25 | |
| 1" | ≥ 22,3 | 50,5 | |
| 1 1/2" | ≥ 35,0 | 50,5 | |
| 2" | ≥ 47,7 | 64 | |
| 2 1/2" | ≥ 60,5 | 77,5 | |
| 3" | ≥ 73,1 | 91 | |
| 3,5" | ≥ 85,1* | 106* | EPDM; Perbunan; Silicon; PTFE; Viton; PTFE ummantet (Viton) |
| 4" | ≥ 97,6 | 119 | |
| 5" | ≥ 125,2* | 144,4* | |
| 6" | ≥ 147,1 | 167 | |
| 6" metr. | ≥ 150,2* | 167* | |
| 8" metr. | ≥ 200,2* | 217,4* | |
| 8" US | ≥ 198* | 217,4* | |
| 10" metr. | ≥ 250,2* | 268* | |
| 10" US | ≥ 247,4* | 268* | |
| 10" s. 5 | ≥ 268* | 286,1* | |
| 12" | ≥ 300,2* | 319* | |
| 12" s. 5 | ≥ 316,1* | 338* | |



* Sonderabmessung

TC-Dichtung Mini Serie

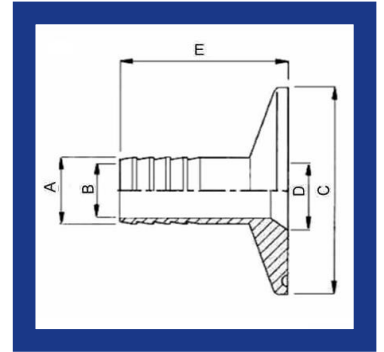
| DN | A | B | |
|------------|--------|------|---|
| MINI DN 6 | ≥ 4,2 | 22,0 | EPDM; Perbunan; Silicon; PTFE; Viton; PTFE ummantet (Viton) |
| MINI DN 8 | ≥ 6,2 | 22,0 | |
| MINI DN 10 | ≥ 8,2 | 22,0 | |
| MINI DN 12 | ≥ 10,2 | 22,0 | |
| MINI DN 14 | ≥ 12,2 | 22,0 | |
| MINI DN 16 | ≥ 14,2 | 22,0 | |
| MINI DN 18 | ≥ 16,2 | 22,0 | |



Schlauchtülle mit Kegelflanschanschluss

Werkstoff: 1.4404

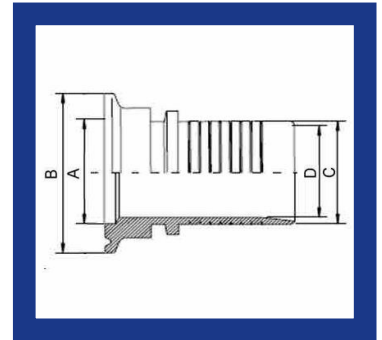
| DN | A | B | C | D | E |
|--------|------|------|------|------|----|
| 1/4" | 6,4 | 3,5 | 25 | 9,5 | 32 |
| 1/4" | 6,4 | 3,5 | 25 | 10,3 | 32 |
| 1/4" | 6,4 | 3,5 | 25 | 15,9 | 32 |
| 1/4" | 6,4 | 3,5 | 34 | 10 | 40 |
| 1/4" | 6,4 | 3,5 | 50,5 | 22,6 | 40 |
| 1/4" | 6,4 | 3,5 | 50,5 | 35 | 40 |
| 3/8" | 9,5 | 6,5 | 25 | 9,5 | 32 |
| 3/8" | 9,5 | 6,5 | 25 | 10,3 | 32 |
| 3/8" | 9,5 | 6,5 | 25 | 15,9 | 32 |
| 3/8" | 9,5 | 6,5 | 34 | 10 | 40 |
| 3/8" | 9,5 | 6,5 | 34 | 16 | 40 |
| 3/8" | 9,5 | 6,5 | 50,5 | 18,1 | 40 |
| 3/8" | 9,5 | 6,5 | 50,5 | 22,6 | 40 |
| 3/8" | 9,5 | 6,5 | 50,5 | 35 | 40 |
| 1/2" | 12,7 | 9,5 | 25 | 9,5 | 32 |
| 1/2" | 12,7 | 9,5 | 25 | 14 | 32 |
| 1/2" | 12,7 | 9,5 | 25 | 15,9 | 32 |
| 1/2" | 12,7 | 9,5 | 34 | 10 | 40 |
| 1/2" | 12,7 | 9,5 | 34 | 16 | 40 |
| 1/2" | 12,7 | 9,5 | 50,5 | 18,1 | 40 |
| 1/2" | 12,7 | 9,5 | 50,5 | 22,6 | 40 |
| 1/2" | 12,7 | 9,5 | 50,5 | 35 | 40 |
| 1/2" | 12,7 | 9,5 | 50,5 | 38,4 | 40 |
| 1/2" | 12,7 | 9,5 | 64 | 47,5 | 40 |
| 3/4" | 19 | 15,9 | 25 | 9,5 | 32 |
| 3/4" | 19 | 15,9 | 25 | 15,9 | 32 |
| 3/4" | 19 | 15,9 | 34 | 15,9 | 40 |
| 3/4" | 19 | 15,9 | 50,5 | 22,6 | 40 |
| 3/4" | 19 | 15,9 | 50,5 | 35 | 40 |
| 3/4" | 19 | 15,9 | 64 | 47,5 | 60 |
| 1" | 26 | 22,6 | 50,5 | 22,6 | 40 |
| 1" | 26 | 22,6 | 50,5 | 35 | 40 |
| 1" | 26 | 22,6 | 64 | 47,5 | 60 |
| 1 1/2" | 38,1 | 35,6 | 50,5 | 35 | 40 |
| 1 1/2" | 38,1 | 35,6 | 64 | 47,5 | 60 |
| 2" | 50,8 | 48,6 | 64 | 47,5 | 60 |



Schlauchstutzen Flansch DIN 32676

Werkstoff 1.4404

| DN | A | B | C | D |
|---------------|------|------|------|------|
| DN 15 - DN 15 | 16 | 34 | 13,4 | 9 |
| DN 20 - DN 20 | 20 | 34 | 19,4 | 15 |
| DN 25 - DN 25 | 26 | 50,5 | 25,4 | 21 |
| DN 32 - DN 32 | 32 | 50,5 | 32,4 | 28 |
| DN 38 - DN 40 | 38 | 50,5 | 38,4 | 33,5 |
| DN 38 - NW 32 | 38,4 | 64 | 38,4 | 33,5 |
| DN 50 - DN 50 | 50 | 64 | 50,4 | 45,5 |
| DN 65 - DN 65 | 66 | 91 | 63,4 | 58,5 |
| DN 75 - DN 65 | 81 | 106 | 75,4 | 70,5 |

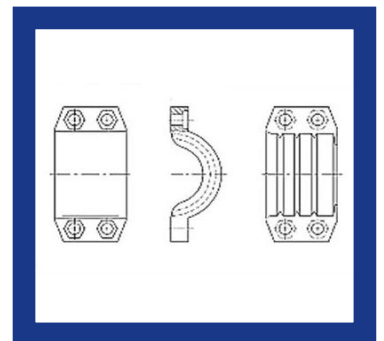


Schlauchanschluss nach DIN 2817

Klemmschalen nach DIN 2817

Werkstoff 316L (1.4408)

| DN | für Schlauch |
|--------|--------------|
| DN 15 | DN 13 x 6 |
| DN 20 | DN 19 x 6 |
| DN 25 | DN 25 x 6 |
| DN 32 | DN 32 x 6 |
| DN 38 | DN 38 x 6,5 |
| DN 50 | DN 50 x 8 |
| DN 65 | DN 65 x 8 |
| DN 80 | DN 75 x 8 |
| DN 100 | DN 100 x 8 |



Kegelflansch-Gewindeadapter

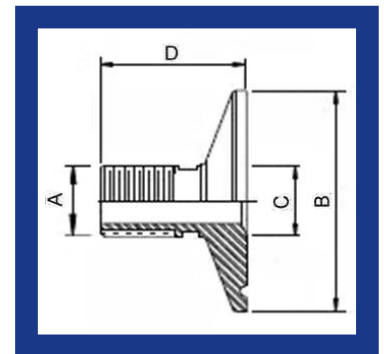
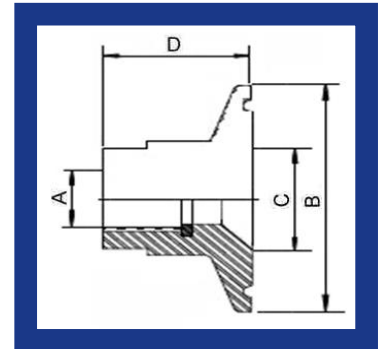
Werkstoff: 1.4404

| Außengewinde | | | |
|--------------|------|------|----|
| A | B | C | D |
| 1/8" | 25 | 9,5 | 30 |
| 1/4" | 25 | 9,5 | 30 |
| 3/8" | 25 | 9,5 | 30 |
| 1/2" | 25 | 9,5 | 30 |
| 1/2" | 25 | 15,9 | 30 |
| 3/4" | 25 | 15,9 | 30 |
| 1/4" | 34 | 10 | 30 |
| 3/8" | 34 | 10 | 30 |
| 1/2" | 34 | 16 | 30 |
| 3/4" | 34 | 16 | 30 |
| 3/4" | 34 | 20 | 30 |
| 1/8" | 50,5 | 22 | 36 |
| 1/4" | 50,5 | 22 | 36 |
| 3/8" | 50,5 | 22 | 36 |
| 1/2" | 50,5 | 22 | 36 |
| 3/4" | 50,5 | 22 | 36 |
| 1" | 50,5 | 22 | 36 |
| 1 1/4" | 50,5 | 29,7 | 36 |
| 1/4" | 50,5 | 35 | 36 |
| 1/2" | 50,5 | 35 | 36 |
| 3/4" | 50,5 | 35 | 36 |
| 1" | 50,5 | 35 | 36 |
| 1 1/2" | 50,5 | 35 | 36 |
| 1" | 64 | 47,5 | 40 |
| 1 1/4" | 64 | 47,5 | 40 |
| 1 1/2" | 64 | 47,5 | 40 |
| 2" | 64 | 47,5 | 40 |
| 2" | 77,5 | 56,3 | 45 |
| 2 1/2" | 91 | 66 | 45 |
| 3" | 106 | 84,3 | 40 |

BSP Außengewinde (konisch)
 Gewindetyp R

| Innengewinde | | | |
|--------------|------|------|----|
| A | B | C | D |
| 1/8" | 25 | 9,5 | 25 |
| 1/4" | 25 | 9,5 | 25 |
| 3/8" | 25 | 9,5 | 25 |
| 1/2" | 25 | 9,5 | 30 |
| 1/4" | 25 | 15,9 | 30 |
| 1/2" | 25 | 15,9 | 30 |
| 3/4" | 25 | 15,9 | 30 |
| 1/4" | 34 | 10 | 25 |
| 3/8" | 34 | 10 | 25 |
| 1/2" | 34 | 16 | 30 |
| 1/4" | 34 | 16 | 25 |
| 3/4" | 34 | 16 | 30 |
| 3/4" | 34 | 20 | 30 |
| 1/8" | 50,5 | 22 | 25 |
| 1/4" | 50,5 | 22 | 25 |
| 3/8" | 50,5 | 22 | 25 |
| 1/2" | 50,5 | 22 | 25 |
| 3/4" | 50,5 | 22 | 25 |
| 1" | 50,5 | 22 | 25 |
| 1/8" | 50,5 | 35 | 25 |
| 1/4" | 50,5 | 35 | 25 |
| 3/8" | 50,5 | 35 | 25 |
| 1/2" | 50,5 | 35 | 25 |
| 3/4" | 50,5 | 35 | 25 |
| 1 1/2" | 50,5 | 35 | 30 |
| 1" | 64 | 50 | 30 |
| 1 1/4" | 64 | 47,5 | 30 |
| 1 1/2" | 64 | 47,5 | 30 |
| 2" | 64 | 47,5 | 40 |
| 2" | 77,5 | 56,3 | 40 |
| 2 1/2" | 91 | 66 | 30 |
| 3" | 106 | 84,3 | 30 |

BSP Innengewinde (zylindrisch)
 Gewindetyp: „G“
 Dichtring PTFE

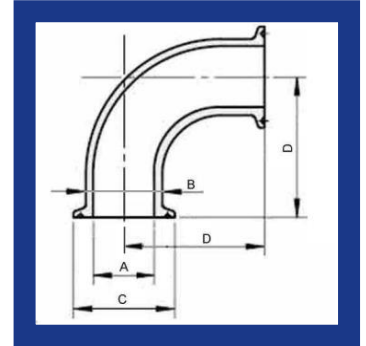


Bogen 90° DIN

Werkstoff: 1.4404

| DN | A | B | C | D |
|--------|-----|-----|------|------|
| DN 10 | 10 | 13 | | 44 |
| DN 15 | 16 | 19 | 34 | 53 |
| DN 20 | 20 | 23 | | 58 |
| DN 25 | 26 | 29 | | 71,5 |
| DN 32 | 32 | 35 | 50,5 | 76,5 |
| DN 40 | 38 | 41 | | 81,5 |
| DN 50 | 50 | 53 | 64 | 91,5 |
| DN 65 | 66 | 70 | 91 | 108 |
| DN 80 | 81 | 85 | 106 | 118 |
| DN 100 | 100 | 104 | 119 | 128 |

Maßabweichungen und Änderungen vorbehalten

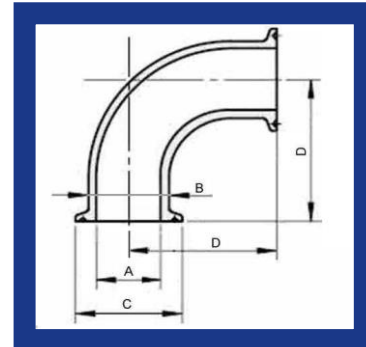


Bogen 90° INCH

Werkstoff: 1.4404

| DN | A | B | C | D |
|--------|--------------------|----------------------|------|-----|
| | 10,5 14 17,5 | 13,8 17,3 21,7 | 34 | 55 |
| 1" | 23 | 25,4 | 50,5 | 55 |
| 1 1/2" | 35,7 | 38,1 | | 70 |
| 2" | 47,8 | 50,8 | 64 | 82 |
| 2 1/2" | 59,5 | 63,5 | 77,5 | 105 |
| 3" | 72,3 | 76,3 | 91 | 110 |

Maßabweichungen und Änderungen vorbehalten

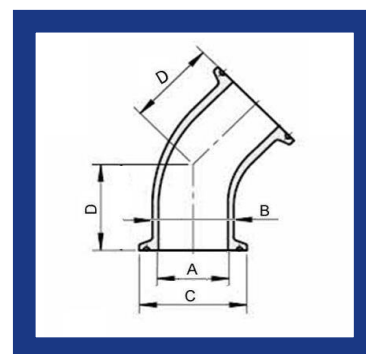


Bogen 45° INCH

Werkstoff: 1.4404

| DN | A | B | C | D |
|--------|------|------|------|------|
| 1" | 23 | 25,4 | 50,5 | 36,8 |
| 1 1/2" | 35,7 | 38,1 | | 44,7 |
| 2" | 47,8 | 50,8 | 64 | 52,6 |
| 2 1/2" | 59,5 | 63,5 | 77,5 | 63 |
| 3" | 72,3 | 76,3 | 91 | 73,6 |

Maßabweichungen und Änderungen vorbehalten

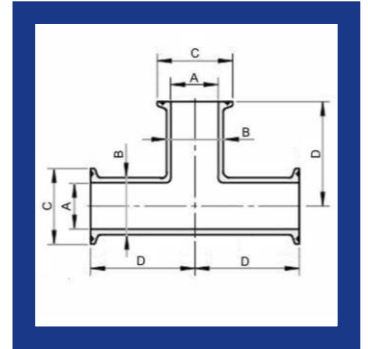


T-Stück DIN

Werkstoff: 1.4404

| DN | A | B | C | D |
|--------|-----|-----|------|------|
| DN 10 | 10 | 13 | | 44 |
| DN 15 | 16 | 19 | 34 | 53 |
| DN 20 | 20 | 23 | | 58 |
| DN 25 | 26 | 29 | | 71,5 |
| DN 32 | 32 | 35 | 50,5 | 76,5 |
| DN 40 | 38 | 41 | | 81,5 |
| DN 50 | 50 | 53 | 64 | 91,5 |
| DN 65 | 66 | 70 | 91 | 108 |
| DN 80 | 81 | 85 | 106 | 118 |
| DN 100 | 100 | 104 | 119 | 128 |

Maßabweichungen und Änderungen vorbehalten

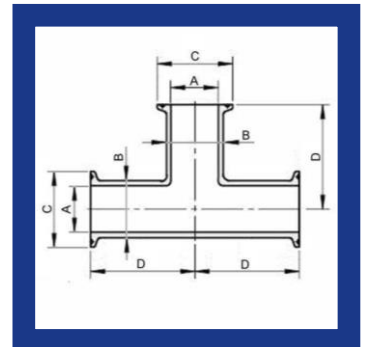


T-Stück INCH

Werkstoff: 1.4404

| DN | A | B | C | D |
|--------|------|------|------|-----|
| 1" | 23 | 25,4 | | 55 |
| 1 1/2" | 35,7 | 38,1 | 50,5 | 70 |
| 2" | 47,8 | 50,8 | 64 | 82 |
| 2 1/2" | 59,5 | 63,5 | 77,5 | 105 |
| 3" | 72,3 | 76,3 | 91 | 110 |

Maßabweichungen und Änderungen vorbehalten

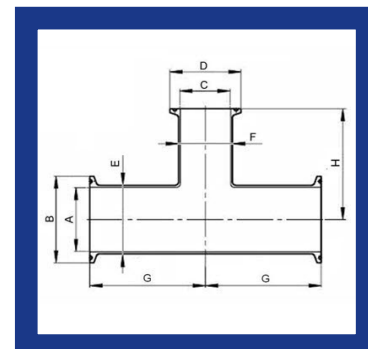


Reduzier - T-Stück INCH

Werkstoff: 1.4404

| DN | A | B | C | D | E | F | G | H |
|-----------------|------|------|------|------|------|------|-----|-----|
| 1 1/2" - 1" | 35,7 | 50,5 | 25,4 | 50,5 | 38,1 | 25,4 | 70 | 66 |
| 2" - 1" | 47,8 | 64 | 25,4 | 50,5 | 50,8 | 25,4 | 82 | 72 |
| 2" - 1 1/2" | 47,8 | 64 | 38,1 | 50,5 | 50,8 | 38,1 | 82 | 85 |
| 2 1/2" - 1 1/2" | 59,5 | 77,5 | 38,1 | 50,5 | 63,5 | 38,1 | 105 | 91 |
| 2 1/2" - 2" | 59,5 | 77,5 | 50,8 | 64 | 63,5 | 50,8 | 105 | 103 |

Maßabweichungen und Änderungen vorbehalten

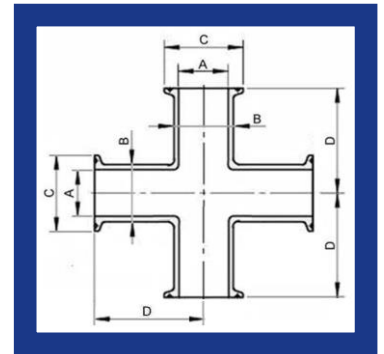


Kreuzstück DIN

Werkstoff: 1.4404

| DN | A | B | C | D |
|--------|-----|-----|------|------|
| DN 10 | 10 | 13 | | 44 |
| DN 15 | 16 | 19 | 34 | 53 |
| DN 20 | 20 | 23 | | 58 |
| DN 25 | 26 | 29 | | 71,5 |
| DN 32 | 32 | 35 | 50,5 | 76,5 |
| DN 40 | 38 | 41 | | 81,5 |
| DN 50 | 50 | 53 | 64 | 91,5 |
| DN 65 | 66 | 70 | 91 | 108 |
| DN 80 | 81 | 85 | 106 | 118 |
| DN 100 | 100 | 104 | 119 | 128 |

Maßabweichungen und Änderungen vorbehalten

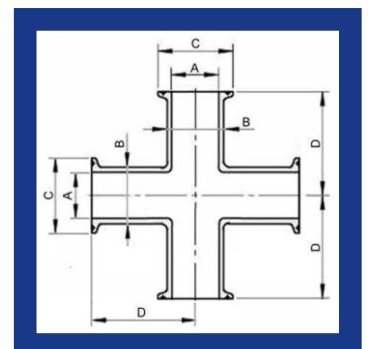


Kreuzstück INCH

Werkstoff: 1.4404

| DN | A | B | C | D |
|--------|-------|------|------|-------|
| 1" | 22,2 | 25,4 | | 66,7 |
| 1 1/2" | 35,1 | 38,1 | 50,5 | 73 |
| 2" | 50,8 | 47,8 | 64 | 85,7 |
| 3" | 76,1 | 72,1 | 91 | 98,4 |
| 4" | 101,6 | 97,6 | 119 | 120,7 |

Maßabweichungen und Änderungen vorbehalten

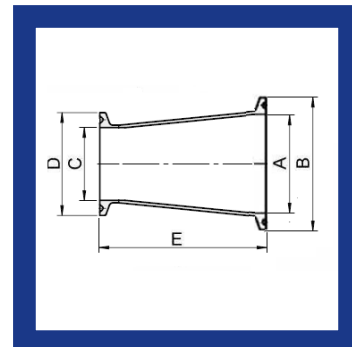


Reduzierung konzentrisch DIN

Werkstoff: 1.4404

| DN | A | B | C | D | E |
|---------------|-----|------|----|------|------|
| DN 20 - DN 15 | 20 | 34 | 15 | 34 | 59,5 |
| DN 25 - DN 20 | 26 | 50,5 | 20 | 34 | 63 |
| DN 32 - DN 25 | 32 | 50,5 | 26 | 50,5 | 66,5 |
| DN 40 - DN 32 | 38 | 50,5 | 32 | 50,5 | 66,5 |
| DN 50 - DN 40 | 50 | 64 | 38 | 50,5 | 64,5 |
| DN 65 - DN 50 | 66 | 91 | 50 | 64 | 80 |
| DN 80 - DN 65 | 81 | 106 | 66 | 91 | 83,5 |
| DN100 - DN 80 | 100 | 119 | 81 | 106 | 90,5 |

Maßabweichungen und Änderungen vorbehalten

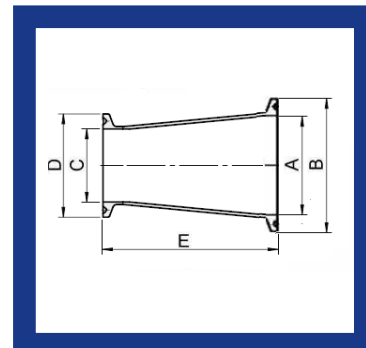


Reduzierung konzentrisch INCH

Werkstoff: 1.4404

| DN | A | B | C | D | E |
|-----------------|------|------|------|------|----|
| 3/4" - 1/2" | 15,9 | 25,4 | 9,5 | 25,4 | 40 |
| 1" - 1/2" | 22,2 | 50,5 | 9,5 | 25,4 | 50 |
| 1" - 3/4" | 22,2 | 50,5 | 15,8 | 25,4 | 50 |
| 1 1/2" - 1/2" | 34,9 | 50,5 | 9,5 | 25,4 | 50 |
| 1 1/2" - 3/4" | 34,9 | 50,5 | 15,8 | 25,4 | 50 |
| 1 1/2" - 1" | 34,9 | 50,5 | 22,2 | 50,5 | 50 |
| 2" - 1/2" | 47,6 | 64 | 9,5 | 25,4 | 50 |
| 2" - 3/4" | 47,6 | 64 | 15,8 | 25,4 | 50 |
| 2" - 1" | 47,6 | 64 | 22,2 | 50,5 | 50 |
| 2" - 1 1/2" | 47,6 | 64 | 34,9 | 50,5 | 50 |
| 2 1/2" - 1/2" | 60,3 | 77,5 | 9,5 | 25,4 | 60 |
| 2 1/2" - 3/4" | 60,3 | 77,5 | 15,8 | 25,4 | 60 |
| 2 1/2" - 1" | 60,3 | 77,5 | 22,2 | 50,5 | 60 |
| 2 1/2" - 1 1/2" | 60,3 | 77,5 | 34,9 | 50,5 | 60 |
| 2 1/2" - 2" | 60,3 | 77,5 | 47,6 | 64 | 60 |
| 3" - 1/2" | 73 | 91 | 9,5 | 25,4 | 60 |
| 3" - 3/4" | 73 | 91 | 15,8 | 25,4 | 60 |
| 3" - 1" | 73 | 91 | 22,2 | 50,5 | 60 |
| 3" - 1 1/2" | 73 | 91 | 34,9 | 50,5 | 60 |
| 3" - 2" | 73 | 91 | 47,6 | 64 | 60 |
| 3" - 2 1/2" | 73 | 91 | 60,3 | 77,5 | 60 |

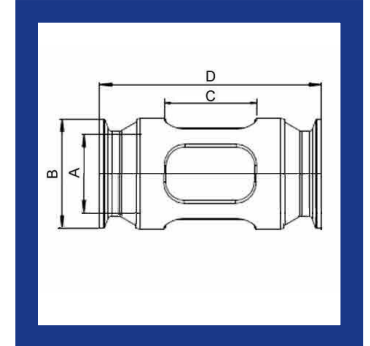
Maßabweichungen und Änderungen vorbehalten



Schaulaterne

Werkstoff: 1.4404

| DN | A | B | C | D |
|--------|------|------|----------|-----|
| 3/8" | 7,7 | 25 | 16 x 8 | 65 |
| 1/2" | 9,5 | 25 | 20 x 9 | 76 |
| 3/4" | 15,8 | 25 | 27 x 11 | 87 |
| 1" | 22,1 | 50,5 | 30 x 16 | 91 |
| 1 1/2" | 34,8 | 50,5 | 40 x 24 | 105 |
| 2" | 47,5 | 64 | 48 x 34 | 120 |
| 2 1/2" | 60,3 | 77,5 | 55 x 40 | 151 |
| 3" | 72,9 | 91 | 90 x 50 | 175 |
| 4" | 97,4 | 119 | 110 x 60 | 200 |



Borosilikatglas, Dichtring EPDM